



VISION SYSTEMS

Safety and productivity
for your equipment.



contents

- 4 Cameras
- 6 Monitors
- 8 Accessories & Cabling
- 10 Mounting Kits & Enclosures
- 11 Maxi Vision® Ram Mounting
- 12 Digital Video Recorders (DVR)
- 14 5" Camera Kits
- 15 7" Camera Kits
- 16 10.4" Camera Kits
- 17 15" Camera Kits
- 17 27" Camera Kits
- 18 DVR Camera Kits
- 20 Forklift Camera Systems
- 21 Camera System Typical Layouts
- 22 Camera System with DVR Typical Layouts

Cameras

The Maxi Vision® range of cameras have been specifically designed to suit the harshest of environments.

PN 14220



BALL CAMERA IP69K HEAVY DUTY

The 14220 camera features the latest Sony CMOS technology housed in a rugged, IP69K, die-cast assembly, making this camera one of the leading vision components available.

Compact in design and lightweight, this camera reduces the amount of machine space required for fitment while providing crystal-clear imagery.

Features

- Sony ISX017 WDR Sensor Colour CMOS
- High Resolution 1000 TV Lines
- Low Illumination
- Rated to IP69K
- In-built Power Status LED
- On-screen Activity Indicator

Specifications

- Dims: 70mm (2.7") (H) 53mm (2") (D) (with bracket)
- Weight: 120g (0.2lbs) (without bracket)
- Operating Temp: -20°C ~ 60°C (-4°F - 140°F)
- Angle of Vision: 82(H) x 61(V) x 104(D)
- Total Pixels: 1,297(H) x 977(V) 1.27M
- Min Illumination: 0.1Lux (F=2.0)
- Input Voltage: 12 / 24 V DC

PN 11858



COLOUR CAMERA IP68 CCD HAD II (SMALL)

- Operating temp: -20°C - 65°C (-4°F - 149°F)
- Lens: F 2.0/30 IRE
- Min illumination: 0.5 Lux
- Input voltage: 12 V DC
- 36.6(W) x 27(H) x 37.7(D) mm (1.4" x 1" x 1.5")
- 80g (0.17lbs)
- Aluminium die-cast waterproof housing
- Complete with 20m (65.6ft) loom
- Waterproof microphone

PN 0683



BLACK & WHITE CAMERA 110°

- Operating temp: -10°C - 55°C (14°F - 131°F)
- Lens: F 2.0 110°
- Min illumination: 1 Lux
- Input voltage: 12 V DC
- 70(W) x 44(H) x 57(D) mm (2.7" x 1.7" x 2.2")
- 300g (0.66lbs) including bracket
- Aluminium die-cast waterproof housing
- Waterproof microphone
- Complete with 20m (65.6ft) loom

PN 11857



COLOUR CAMERA IP69 CCD HAD II

- Operating temp: -20°C - 60°C (-4°F - 140°F)
- Lens: F 2.0 110°
- Min illumination: 0.1 Lux
- Input voltage: 12 V DC
- 70(W) x 44(H) x 57(D) mm (2.7" x 1.7" x 2.2")
- 400g (0.88lbs) including bracket
- Aluminium die-cast waterproof housing
- Complete with 20m (65.6ft) loom

PN 11846



COLOUR CAMERA INFRA-RED 110°

- Visible IR LED (850nm) x6
- Input voltage: 12 V DC
- 70(W) x 44(H) x 57(D) mm (2.7" x 1.7" x 2.2")
- 400g (0.88lbs) (with bracket)
- IP67
- Built-in audio

PN 14348



DUAL VIEW CAMERA A TYPE

- Operating temp: -20°C - 60°C (-4°F - 140°F)
- View Angle: Drive: 80(H) x 60(V) x 95(D)
Rear: 120(H) x 90(V) x 140(D)
- Mini illumination: 0.2 Lux (F=2.4)
- Input voltage: 12 / 24 V DC
- 28(W) x 33(D) mm (1.1" x 1.3")
- 44.5g (0.1lbs)
- IP68 metal housing

Monitors

PN 9299



5" WATERPROOF MONITOR COLOUR TFT IP67 HEAVY DUTY 12/24V

- Reverse polarity protected
- 3 camera input (NTSC/PAL)
- Full screen picture display
- Complete with heavy duty mounting, sun visor and all cabling
- 3 standby wire function
- 2.5m (8.2ft) sealed connection lead
- Manual dimmer function inbuilt (day/night function)

PN 14338



10" W/PROOF MONITOR COLOUR TFT HEAVY DUTY 12/24V

- 1, 2, 3 and 4 split screen
- Comes with heavy duty mounting
- Stand-by wire function
- Internal mirror image settings & On Screen display (OSD)
- Auto dim function for easy viewing in changing light conditions
- Operating temp: -20°C to 60°C (-4°F to 140°F)
- Dims: 263(W) x 183(H) x 29(D) mm (10.3" x 7.2" x 1.1")
- Weight: 877g (1.9lbs)
- NTSC, PAL, AUTO
- 0.5 W speaker

PN 11939



7" WATERPROOF MONITOR COLOUR TFT IP67 HEAVY DUTY 12/24V

- Reverse polarity protected
- 7 different screen layouts
- 1, 2, 3 and 4 split screen
- Complete with heavy duty mounting, sun visor and all cabling
- 4 standby wire function
- 2.5m (8.2ft) sealed connection lead
- Auto dim function for easy viewing in changing light conditions
- Internal mirror image settings
- Easy to navigate menus via on screen display (OSD)

PN 5670



7" TELEVISION LCD TFT 12V

- On Screen Display (OSD)
- 0.5 W speaker installed
- TV/AV/camera selection function
- Card type IR remote control
- Fast channel search and auto memory
- Wide range of channels (CH2-CH69)
- External antenna & AV inputs plus multiple connections
- Camera connection terminal
- Low energy consuming rate (Max power: 950mA @ 12V)

PN 11926



7" MONITOR COLOUR TFT IN CAB 12/24V

- Split connections for easy installation
- Auto dim function for easy viewing in changing light conditions
- Lightweight and durable for easy handling and longer use
- Touch screen control for ease of use, also includes remote control

PN 12891



15" MONITOR COLOUR LCD TFT 12V

- On Screen Display (OSD)
- 0.5 W speaker installed
- IR remote control
- External antenna input
- External AV input and multiple connection
- Low energy consuming rate (Max power: 950mA @ 12V)
- Dims: 381(W) x 299(H) x 46(D)mm (15" x 11.7" x 1.8")
- Weight: 3.5kg (7.7lbs)
- Pixels: 1024 x 768

PN 11935



10.4" MONITOR COLOUR TFT LCD METAL CASE 12V

- Power consumption: 9.6W
- Operating temp: -10°C to 50°C (14°F to 122°F)
- Dims: 254(W) x 202(H) x 29(D) mm (10" x 7.9" x 1.1")
- Weight: 1.5kg (3.3lbs)
- Card type IR remote control
- Auto TV system (NTSC, PAL, AUTO)
- 0.5 W speaker @ 12V

PN 12772



27" MONITOR COLOUR LCD TFT 12V

- On Screen Display (OSD)
- 0.5 W speaker installed
- Inputs: AV, HDMI, VGA, PC stereo
- Power consumption: <30W
- Dims: 648.5 x 401 x 68mm (25.5" x 15.7" x 2.6")
- Weight: 7kg (15.4lbs)
- Pixels: 1920 x 1080

Accessories & Cabling

The Maxi Vision® looms and adaptors have been designed to integrate the Maxi Vision® range with current machine infrastructure.

PN 6838



QUAD SPLITTER BOX 4 CAMERA INPUT

The Maxi Vision® Quad Splitter has been specifically designed to integrate multiple cameras into any Maxi Vision® monitor.

Including four trigger line inputs, this unit can display 1/2/3/ or 4 images on screen at the same time.

Features

- Voltage in: 12 - 24V DC
Voltage out: 12V DC 1A
- Power consumption: 200mA
- 380g (0.8lbs)

- -10°C to 60°C (14°F to 140°F)
- 140(W) x 30(H) x 90(D) mm (5.5" x 1.1" x 3.5")
- Wireless remote control
- 4 camera input, multi-screen display
- Reverse wire auto-on function on all camera inputs

PN 4946



ADAPTOR LOOM TO SUIT 11586/14220 CAMERA

PN 11373



ADAPTOR LOOM TO SUIT 10895 DVR SYSTEM



CAMERA INPUT LOOM TO SUIT 11939 MONITOR

- 1 x Camera Input | PN **11927**
- 2 x Camera Input | PN **11928**
- 3 x Camera Input | PN **11929**
- 4 x Camera Input | PN **11930**

PN 2951



ADAPTOR KIT (MINI DIN TO DEUTSCH PLUG)

- Heavy duty four core harness
- Cable length 400mm (15.7")

PN 6450



EXTENSION LOOM 7M TO SUIT 11858 CAMERA

PN 2880



ADAPTOR LOOM RCA MALE TO RCA MALE 1M

PN 3876



REDUCER REGULATOR

- Regulates power input to absorb machine spike voltage
- Set incoming voltages 9 to 32 V DC
- Output: 12V 3 Amp



EXTENSION LOOM TO SUIT 11857 / 0683 CAMERA

- 5m (15FT) | PN **1346**
- 20m (70FT) | PN **5593**

PN 8093



ADAPTOR LOOM MINI DIN TO RCA INPUT

PN 12526



ADAPTOR KIT TO SUIT MINI JACK (SCREW TYPE) TO DEUTSCH

Mounting Kits & Enclosures

The Maxi Vision® range of mounting kits and enclosures has been designed to integrate with current machine infrastructure.

These specific mounting options have been manufactured to allow Maxi Vision® systems to be mounted in different applications and positions in and around the cab.



**MOUNTING KIT TO SUIT
7205 MONITOR (RAM MOUNT)**



**MOUNTING KIT TO SUIT
11939 MONITOR LIGHT DUTY**



**ENCLOSURE TO SUIT
0683 / 11857 CAMERA**



**MOUNTING KIT TO SUIT
11939 / 9299 MONITOR
(RAM MOUNT)**



**MOUNTING KIT TO SUIT
9299 MONITOR LIGHT DUTY**

Maxi Vision® Ram Mounting

Maxi Vision® systems have a RAM mounting solution to suit most applications.

	8464 RAM Double Socket Arm 1 3/4"	8460 RAM Double Socket Arm 3"	8799 RAM Double Socket Arm 6"
8795 RAM Base Kit to suit Maxi Vision® 5" & 7" Monitors	8795 + 8464	8795 + 8460	8795 + 8799
8494 RAM Base Double U-Bolt for Rails to 1.25" in Diameter	8494 + 8464	8494 + 8460	8494 + 8799
9292 RAM Base 3" Clamp	9292 + 8464	9292 + 8460	9292 + 8799
8455 RAM Base 1/4"-20 UNC Female Thread with Hex	8455 + 8464	8455 + 8460	8455 + 8799
8493 RAM Base 2" x 3" Universal Rectangular	8493 + 8464	8493 + 8460	8493 + 8799
8798 RAM Base 2" x 6" Universal Rectangular	8798 + 8464	8798 + 8460	8798 + 8799
8492 RAM Base 2.5" Diameter Round	8492 + 8464	8492 + 8460	8492 + 8799
15475 RAM Base Diamond	15475 + 8464	15475 + 8460	15475 + 8799

Digital Video Recorders (DVR)

PN 16203



RECORDER DVR 4 CHANNEL SD CARD

The Maxi Vision® Digital Video Recorder (DVR) is robust in design and ideally suited to industrial and mining applications. Housed in an aluminium casing, this IP69K recorder is designed to stand up to the harshest of environments.

Automatically recording events, 20 seconds pre and post, this multi-voltage unit comes complete with a 256GB SD Card, GPS Antenna, Remote Control and four camera inputs.

View all recorded images on-screen (four camera view including displayed GPS co-ordinates and GPS speed indicator).

Images are easily downloaded by the Maxi Vision® PC Viewer showing over speed, events, driving route, speed, time, location and GPS tracking via Google map interface (Terrain or Map display available).

This all-in-one unit is your solution for driver management, events recording, machine monitoring and training.

Features

- IP69K waterproof
- All diecast case
- SD card cover locking system
- Wi-Fi (optional)
- Compact design
- 4-trigger wire input

Specifications

Dims: 198mm (7.8")(W)
34.5mm (1.4")(H)
100mm (4")(D)

Weight: 822g (1.8lbs)
DVR only

Compression: H.264/AVI

Memory: SD Card (Min 16GB
Max 512GB)

Frame: 4 Channel (30fps)

GPS: External

Microphone: External

3G-Sensor: Internal (5 step)

Mode: Normal / Event

Time: Ordinary : Recording at intervals of 2 min.
Event: 10 seconds prior, 20 second

Current: 350mA @12VDC

Input Voltage: 12 - 24 V DC

Resolution: 4 Channel HD (TVI, AHD, CVBS)

Temp Range: Operating: -10°C to 60°C (14°F to 140°F)
Storage: -20°C to 70°C (-4°F to 158°F)

Trigger Wire: 4 Input

Record Time: (Normal Video Quality – 960 x 480).

Note: SD Card must be formatted via supplied PC Viewer

16GB - 7H Normal, 2H 55M Event

256GB – 4D 16H Normal, 1D 22H 40M Event

512GB – 10D 17H 34M Normal, 3D 8H Event

PN 13542



DVR COMPACT RECORDER 2 CAMERA

The all-in-one unit solution for driver management, events recording, machine monitoring and training.

The Compact DVR Recorder has been designed to assist with in-cab and forward monitoring on mobile equipment.

This multi-voltage unit comes complete with in-built forward and reverse cameras, SD card, GPS and G-shock sensors.

Images are easily downloaded by the Maxi Vision® PC Viewer showing over speed, events, driving route, speed, time, location and GPS tracking via Google map interface (Terrain or Map display available).

Specifications

Dims: 105mm (4.1")(W)
22mm (0.8")(H)
67mm (2.6")(D)

Weight: 156g (0.34lbs)
incl. bracket

Compression: H.264/AVI

Memory: SD Card
(max 64GB)

Frame: 30fps x 2
(Parking : 1fps)

G-sensor: Internal

GPS: Internal (5 step)

Mode: Ordinary / Event (Motion / G-sensor)

Time: Ordinary : Recording at intervals of 2 min.
Event: 10 seconds prior, 20 second

Current: 350mA @12VDC

Input Voltage: 12 - 24 V DC (with super cap) @max.32V

Resolution: Inside : VGA (640x480)
Outside : HD (1280x720)

Temp Range: Operating: -10°C to 60°C (14°F to 140°F)

PN 16202



**RECORDER DVR 4 CHANNEL
NO SD CARD**

PN 16361



**RECORDER DVR 2 CHANNEL
NO SD CARD**

PN 16203



**RECORDER DVR 4 CHANNEL
256GB SD CARD**

PN 16204



256GB SD CARD

5" Camera Kits

The Maxi Vision® camera range offers operators a new perspective when operating their equipment - enhancing safety and productivity.



ADD UP TO
3x
CAMERAS

5" BLACK & WHITE CAMERA KIT

Standard Camera

- 1 x Camera Kit | Part no. **3630**
- 2 x Camera Kit | Part no. **3628**
- 3 x Camera Kit | Part no. **3624**

Kit includes:

1	9299	5" MONITOR LCD
1-3	0683	BLACK & WHITE CAMERA
1	3876	RED/REG 9-32V IN 12V 2A OUT



ADD UP TO
3x
CAMERAS

5" COLOUR CAMERA KIT

Standard Camera

- 1 x Camera Kit | Part no. **3648**
- 2 x Camera Kit | Part no. **3638**
- 3 x Camera Kit | Part no. **3617**

Kit includes:

1	9299	5" MONITOR LCD
1-3	11857	COLOUR CAMERA
1	3876	RED/REG 9-32V IN 12V 2A OUT



ADD UP TO
3x
CAMERAS

HD

5" COLOUR CAMERA KIT

Heavy Duty Camera

- 1 x Camera Kit | Part no. **11688**
- 2 x Camera Kit | Part no. **11689**
- 3 x Camera Kit | Part no. **11690**

Kit includes:

1	9299	5" MONITOR LCD
1-3	14220	COLOUR CAMERA
1-3	4946	MAXI VISION® ADAPTOR CABLE (1 PER CAMERA)
1	3876	RED/REG 9-32V IN 12V 2A OUT
1-3	5593	EXTENSION LOOM 70FT / 20M (1 PER CAMERA)



5" COLOUR CAMERA KIT

Light Vehicles

- 1 x Camera Kit | Part no. **9391**

Kit includes:

1	9299	5" MONITOR LCD
1	11858	COLOUR CAMERA IP68 CCD HAD II (SMALL)
1	8420	LIGHT DUTY FAN MOUNT

7" Camera Kits



ADD UP TO
4x
CAMERAS

7" COLOUR CAMERA KIT

Commercial Vehicle

- 1 x Camera Kit | PN **11931**
- 2 x Camera Kit | PN **11932**
- 3 x Camera Kit | PN **11933**
- 4 x Camera Kit | PN **11934**

Kit includes:

1	11926	7" MONITOR LCD
1-4	11858	COLOUR CAMERA (SMALL)
1	11945	4 CAMERA INPUT LOOM TO SUIT 11926 MONITOR



ADD UP TO
4x
CAMERAS

7" BLACK & WHITE CAMERA KIT

Standard Camera

- 1 x Camera Kit | Part no. **4271**
- 2 x Camera Kit | Part no. **4272**
- 3 x Camera Kit | PN **8810**
- 4 x Camera Kit | Part no. **8811**

Kit includes:

1	11939	7" MONITOR LCD
1-4	0683	BLACK & WHITE CAMERA
1	11927/11928 11929/11930	1/2/3/4 CAMERA INPUT LOOM TO SUIT 11939 MONITOR



ADD UP TO
4x
CAMERAS

7" COLOUR CAMERA KIT

Standard Camera

- 1 x Camera Kit | Part no. **4218**
- 2 x Camera Kit | Part no. **4219**
- 3 x Camera Kit | Part no. **4108**
- 4 x Camera Kit | Part no. **8816**

Kit includes:

1	11939	7" MONITOR LCD
1-4	11857	COLOUR CAMERA
1	11927/11928 11929/11930	1/2/3/4 CAMERA INPUT LOOM TO SUIT 11939 MONITOR



ADD UP TO
4x
CAMERAS

HD

7" COLOUR CAMERA KIT

Heavy Duty Camera

- 1 x Camera Kit | Part no. **11691**
- 2 x Camera Kit | Part no. **11692**
- 3 x Camera Kit | Part no. **11694**
- 4 x Camera Kit | Part no. **11695**

Kit includes:

1	11939	7" MONITOR LCD
1-4	14220	COLOUR CAMERA
1	11927/11928 11929/11930	1/2/3/4 CAMERA INPUT LOOM TO SUIT 11939 MONITOR
1-4	4946	MAXI VISION® ADAPTOR CABLE (1 PER CAMERA)
1-4	5593	EXTENSION LOOM 70FT / 20M (1 PER CAMERA)



7" COLOUR CAMERA KIT

Dual View

- 1 x Camera Kit | Part no. **14391**

Kit includes:

1	11926	7" MONITOR LCD
1	14348	CAMERA 1.3M MULTI VIEW
1	11942	1 CAMERA INPUT LOOM

10.4" Camera Kits



10.4" COLOUR CAMERA KIT

Standard Camera

1 x Camera Kit | PN **6221**
2 x Camera Kit | PN **7746**

3 x Camera Kit | PN **10965**
4 x Camera Kit | PN **10966**

Kit includes:

1	11935	10.4" MONITOR LCD
1-4	11857	COLOUR CAMERA
1	3876	RED/REG 9-32V IN 12V 2A OUT
1	6838	SPLITTER BOX
1	2880	ADAPTOR LOOM RCA MALE TO RCA MALE 1.5 METRES
1	11976	SOCKET RAM DOUBLE ARM 8"
1	11979	BASE RAM 2" X 4" BALL SIZE C
1	11977	BASE RAM 75X75MM VESA SIZE C
1	13066	RAM VESA MOUNT MOUNTING HOLE



10.4" COLOUR CAMERA KIT

Heavy Duty Camera

1 x Camera Kit | Part no. **11696**
2 x Camera Kit | Part no. **11697**

3 x Camera Kit | Part no. **11698**
4 x Camera Kit | Part no. **11699**

Kit includes:

1	11935	10.4" MONITOR LCD
1-4	14220	COLOUR CAMERA
1	3876	RED/REG 9-32V IN 12V 2A OUT
1	6838	SPLITTER BOX
1	2880	ADAPTOR LOOM RCA MALE TO RCA MALE 1.5 METRES
1-4	4946	MAXI VISION® ADAPTOR CABLE (1 PER CAMERA)
1-4	5593	EXTENSION LOOM 70FT / 20M (1 PER CAMERA)
1	5893	MONITOR MOUNT

15" Camera Kits



15" COLOUR CAMERA KIT

Standard Camera

1 x Camera Kit | PN **10967**
2 x Camera Kit | PN **10968**

3 x Camera Kit | PN **10969**
4 x Camera Kit | PN **10970**

Kit includes:

1	12891	15" MONITOR LCD
1-4	11857	COLOUR CAMERA
1	3876	RED/REG 9-32V IN 12V 2A OUT
1	6838	SPLITTER BOX
1	2880	ADAPTOR LOOM RCA MALE TO RCA MALE 1.5 METRES
1	10973	RAM ARM 8" 2.25" BALL
1	10972	RAM BASE 2" X 3" 2.25" BALL
1	10971	RAM BASE 75X75MM VESA MOUNT



15" COLOUR CAMERA KIT

Heavy Duty Camera

1 x Camera Kit | Part no. **11701**
2 x Camera Kit | Part no. **11702**

3 x Camera Kit | Part no. **11703**
4 x Camera Kit | Part no. **11704**

Kit includes:

1	12891	15" MONITOR LCD
1-4	14220	COLOUR CAMERA
1	3876	RED/REG 9-32V IN 12V 2A OUT
1	6838	SPLITTER BOX
1	2880	ADAPTOR LOOM RCA MALE TO RCA MALE 1.5 METRES
1-4	4946	MAXI VISION® ADAPTOR CABLE (1 PER CAMERA)
1-4	5593	EXTENSION LOOM 70FT / 20M (1 PER CAMERA)
1	10973	RAM ARM 8" 2.25" BALL
1	10972	RAM BASE 2" X 3" 2.25" BALL
1	10971	RAM BASE 75X75MM VESA MOUNT

27" Camera Kits



27" COLOUR CAMERA KIT

Heavy Duty Camera

1 x Camera Kit | Part no. **11705**
2 x Camera Kit | Part no. **11706**

3 x Camera Kit | Part no. **11707**
4 x Camera Kit | Part no. **11708**

Kit includes:

1	12772	27" MONITOR LCD
1-4	14220	COLOUR CAMERA
1	3876	RED/REG 9-32V IN 12V 2A OUT
1	6838	SPLITTER BOX
1	2880	ADAPTOR LOOM RCA MALE TO RCA MALE 1.5 METRES
1-4	4946	MAXI VISION® ADAPTOR CABLE (1 PER CAMERA)
1-4	5593	EXTENSION LOOM 70FT / 20M (1 PER CAMERA)
1	10973	RAM ARM 8" 2.25" BALL
1	10972	RAM BASE 2" X 3" 2.25" BALL
1	10971	RAM BASE 75X75MM VESA MOUNT

DVR Camera Kits

The Maxi Vision® Digital Video Recorder (DVR) is robust in design and ideally suited to industrial and mining applications. Housed in an aluminium casing this recorder is designed to stand up to the harshest of environments.

This multi-voltage unit comes complete with heavy duty Solid State Drive (SSD), GPS antenna, remote control and four camera input.

View all recorded images on screen (four camera view including displayed GPS co-ordinates and GPS speed indicator).

Images are easily downloaded by the Maxi Vision® PC Viewer showing over speed, events, driving route, speed, time, location and GPS tracking via Google map interface (terrain or map display available).

This all-in-one unit is your solution for driver management, events recording, machine monitoring and training.



5" COLOUR DVR CAMERA KIT Heavy Duty Camera

1 x Camera Kit | Part no. **11713** 3 x Camera Kit | Part no. **11715**
2 x Camera Kit | Part no. **11714**

Kit includes:

1	9299	5" MONITOR LCD
1-3	14220	COLOUR CAMERA
1	16203	RECORDER DVR 4CH SD CARD
1-4	4946	MAXI VISION® ADAPTOR CABLE (1 PER CAMERA)
1	3876	RED/REG 9-32V IN 12V 2A OUT
1-4	5593	EXTENSION LOOM 70FT / 20M (1 PER CAMERA)
1	2880	ADAPTOR LOOM RCA MALE TO RCA MALE 1.5 METRES
1	8093	ADAPTOR CABLE MINI DIN TO RCA



7" COLOUR DVR CAMERA KIT Standard Camera

1 x Camera Kit | Part no. **10948** 3 x Camera Kit | Part no. **10950**
2 x Camera Kit | Part no. **10949** 4 x Camera Kit | Part no. **10951**

Kit includes:

1	11939	7" MONITOR LCD
1-4	11857	COLOUR CAMERA
1	16203	RECORDER DVR 4CH SD CARD
1-4	4946	MAXI VISION® ADAPTOR CABLE (1 PER CAMERA)
1	11927/11928 11929/11930	1/2/3/4 CAMERA INPUT LOOM TO SUIT 11939 MONITOR
1	2880	ADAPTOR LOOM RCA MALE TO RCA MALE 1.5 METRES
1	8093	ADAPTOR CABLE MINI DIN TO RCA



7" COLOUR CAMERA KIT Heavy Duty Camera

1 x Camera Kit | Part no. **11709** 3 x Camera Kit | Part no. **11711**
2 x Camera Kit | Part no. **11710** 4 x Camera Kit | Part no. **11712**

Kit includes:

1	11939	7" MONITOR LCD
1-4	14220	COLOUR CAMERA
1	16203	RECORDER DVR 4CH SD CARD
1	11927/11928 11929/11930	1/2/3/4 CAMERA INPUT LOOM TO SUIT 11939 MONITOR
1	2880	ADAPTOR LOOM RCA MALE TO RCA MALE 1.5 METRES
1	8093	ADAPTOR CABLE MINI DIN TO RCA



10.4" COLOUR DVR CAMERA KIT Standard Camera

1 x Camera Kit | PN **10954** 3 x Camera Kit | PN **10956**
2 x Camera Kit | PN **10955** 4 x Camera Kit | PN **10957**

Kit includes:

1	11935	10.4" MONITOR LCD
1-4	11857	COLOUR CAMERA
1	16203	RECORDER DVR 4CH SD CARD
1	3876	RED/REG 9-32V IN 12V 2A OUT
1	2880	ADAPTOR LOOM RCA MALE TO RCA MALE 1.5 METRES
1	5893	MONITOR MOUNT



10.4" COLOUR DVR CAMERA KIT Heavy Duty Camera

1 x Camera Kit | Part no. **11717** 3 x Camera Kit | Part no. **11719**
2 x Camera Kit | Part no. **11718** 4 x Camera Kit | Part no. **11720**

Kit includes:

1	11935	10.4" MONITOR LCD
1-4	14220	COLOUR CAMERA
1	16203	RECORDER DVR 4CH SD CARD
1	3876	RED/REG 9-32V IN 12V 2A OUT
1	6838	SPLITTER BOX
1	2880	ADAPTOR LOOM RCA MALE TO RCA MALE 1.5 METRES
1-4	4946	MAXI VISION® ADAPTOR CABLE (1 PER CAMERA)
1-4	5593	EXTENSION LOOM 70FT / 20M (1 PER CAMERA)
1	5893	MONITOR MOUNT



15" COLOUR DVR CAMERA KIT Heavy Duty Camera

1 x Camera Kit | Part no. **11721** 3 x Camera Kit | Part no. **11723**
2 x Camera Kit | Part no. **11722** 4 x Camera Kit | Part no. **11724**

Kit includes:

1	12891	15" MONITOR LCD
1-4	14220	COLOUR CAMERA
1	16203	RECORDER DVR 4CH SD CARD
1	3876	RED/REG 9-32V IN 12V 2A OUT
1	6838	SPLITTER BOX
1	2880	ADAPTOR LOOM RCA MALE TO RCA MALE 1.5 METRES
1-4	4946	MAXI VISION® ADAPTOR CABLE (1 PER CAMERA)
1-4	5593	EXTENSION LOOM 70FT / 20M (1 PER CAMERA)
1	10973	RAM ARM 8" 2.25" BALL
1	10972	RAM BASE 2" X 3" 2.25" BALL
1	10971	RAM BASE 75X75MM VESA MOUNT



27" COLOUR DVR CAMERA KIT Heavy Duty Camera

1 x Camera Kit | Part no. **11725** 3 x Camera Kit | Part no. **11727**
2 x Camera Kit | Part no. **11726** 4 x Camera Kit | Part no. **11728**

Kit includes:

1	12772	27" MONITOR LCD
1-4	14220	COLOUR CAMERA
1	16203	RECORDER DVR 4CH SD CARD
1	3876	RED/REG 9-32V IN 12V 2A OUT
1	6838	SPLITTER BOX
1	2880	ADAPTOR LOOM RCA MALE TO RCA MALE 1.5 METRES
1-4	4946	MAXI VISION® ADAPTOR CABLE (1 PER CAMERA)
1-4	5593	EXTENSION LOOM 70FT / 20M (1 PER CAMERA)
1	10973	RAM ARM 8" 2.25" BALL
1	10972	RAM BASE 2" X 3" 2.25" BALL
1	10971	RAM BASE 75X75MM VESA MOUNT

Forklift Camera Systems

Maxi Vision® Camera systems offer operators a new perspective on driving and operating their equipment. The camera systems are designed to enhance safety by improving the operator's vision when performing such tasks as lifting, transporting loads or reversing. The systems are suitable for use on small or large forklift trucks, battery or internal combustion models.

The Maxi Vision® range of colour LCD monitor and camera options are robust in design and are ideally suited to industrial equipment. Heavy duty casing and mounting options are also available to suit custom applications.

The camera system includes pulleys, heavy duty cabling, special mounting and fittings to enable reliable installation to most electrical and Internal Combustion forklifts.



7" FORKLIFT MAST CAMERA KIT

Camera Kit | Part no. **6660**

Kit includes:

1	8030	7" MONITOR LCD
1	11858	CAMERA COLOUR IP68 CCD HAD II
1	7352	PULLEY KIT
1	6560	MAST CAMERA ADAPTOR LOOM
1	6559	CAMERA LOOM 15M
1	6554	INSULATED MOUNT
1	6623	CABLE GRIP KIT
1	9344	MOUNT KIT T/S FORKLIFT MONITOR



7" FORKLIFT MAST CAMERA KIT

3 Stage Mast Closed Cab

Camera Kit | Part no. **12576**

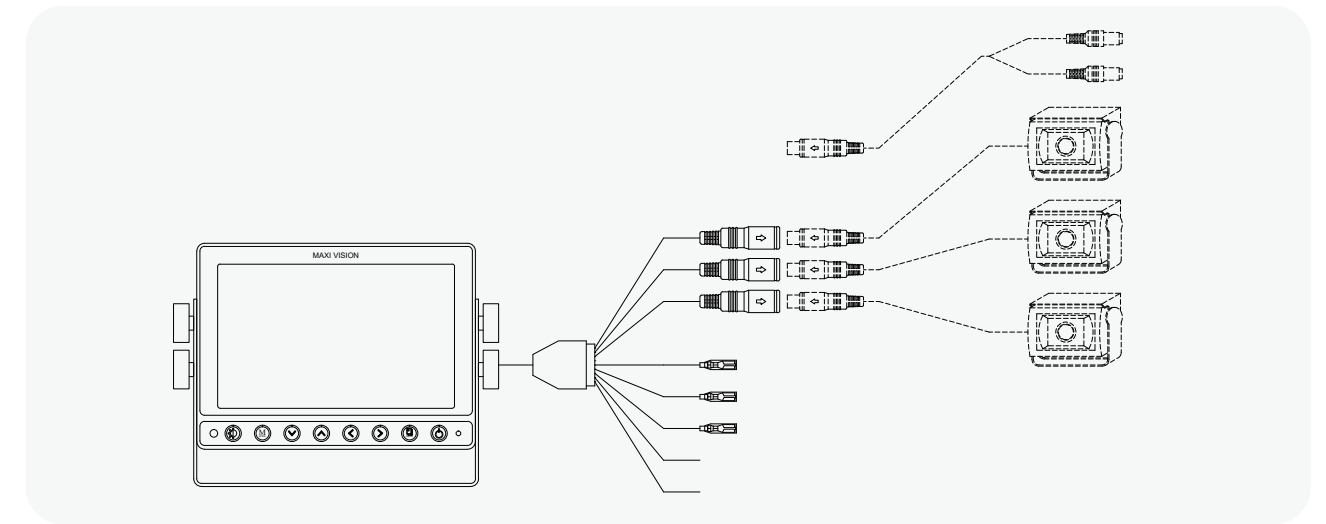
Kit includes:

1	11931	7" - 1 COLOUR CAMERA KIT
1	6554	MOUNTING KIT
1	9344	MOUNT KIT T/S FORKLIFT MONITOR
1	6560	ADAPTOR LOOM FORK FRONT CAMERA
1	6559	CAMERA LOOM 15M
1	6623	CABLE GRIP KIT
1	7352	PULLEY KIT

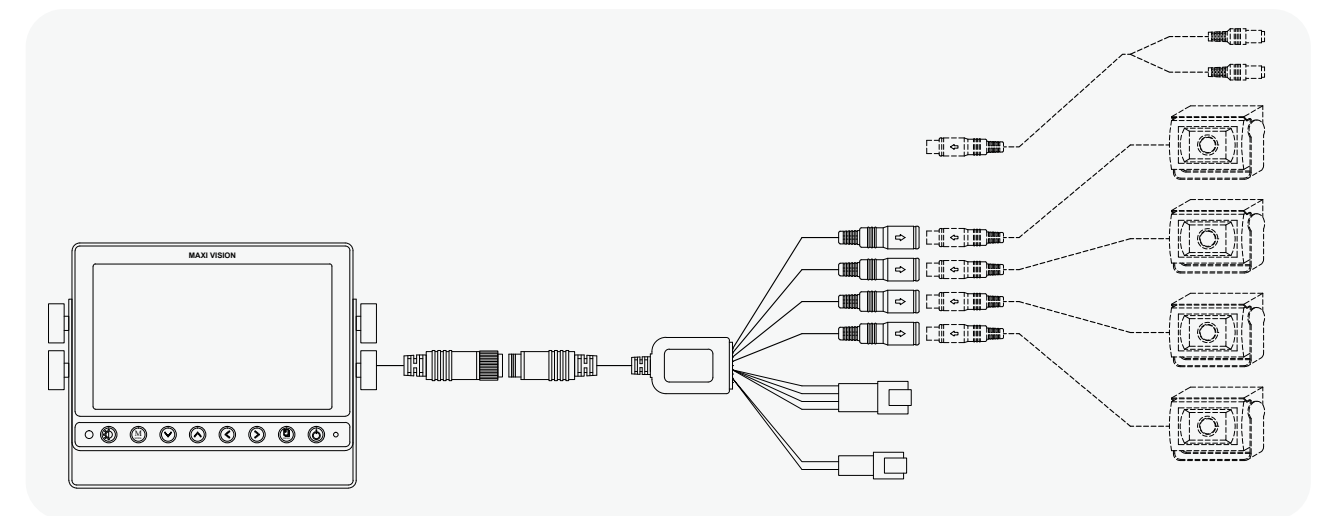


Camera System Typical Layouts

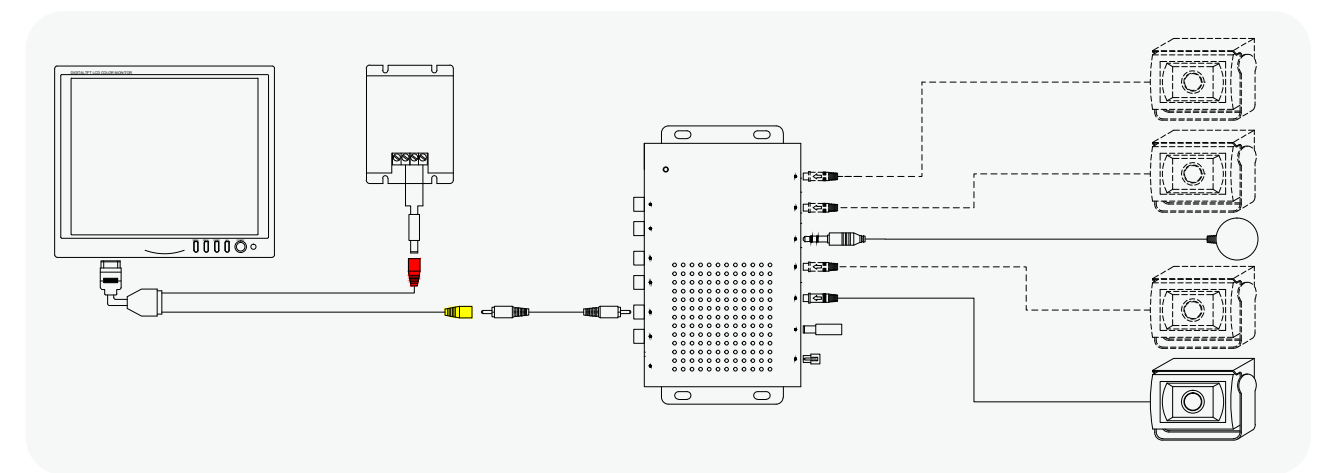
5" MONITOR SYSTEM LAYOUT



7" MONITOR SYSTEM LAYOUT



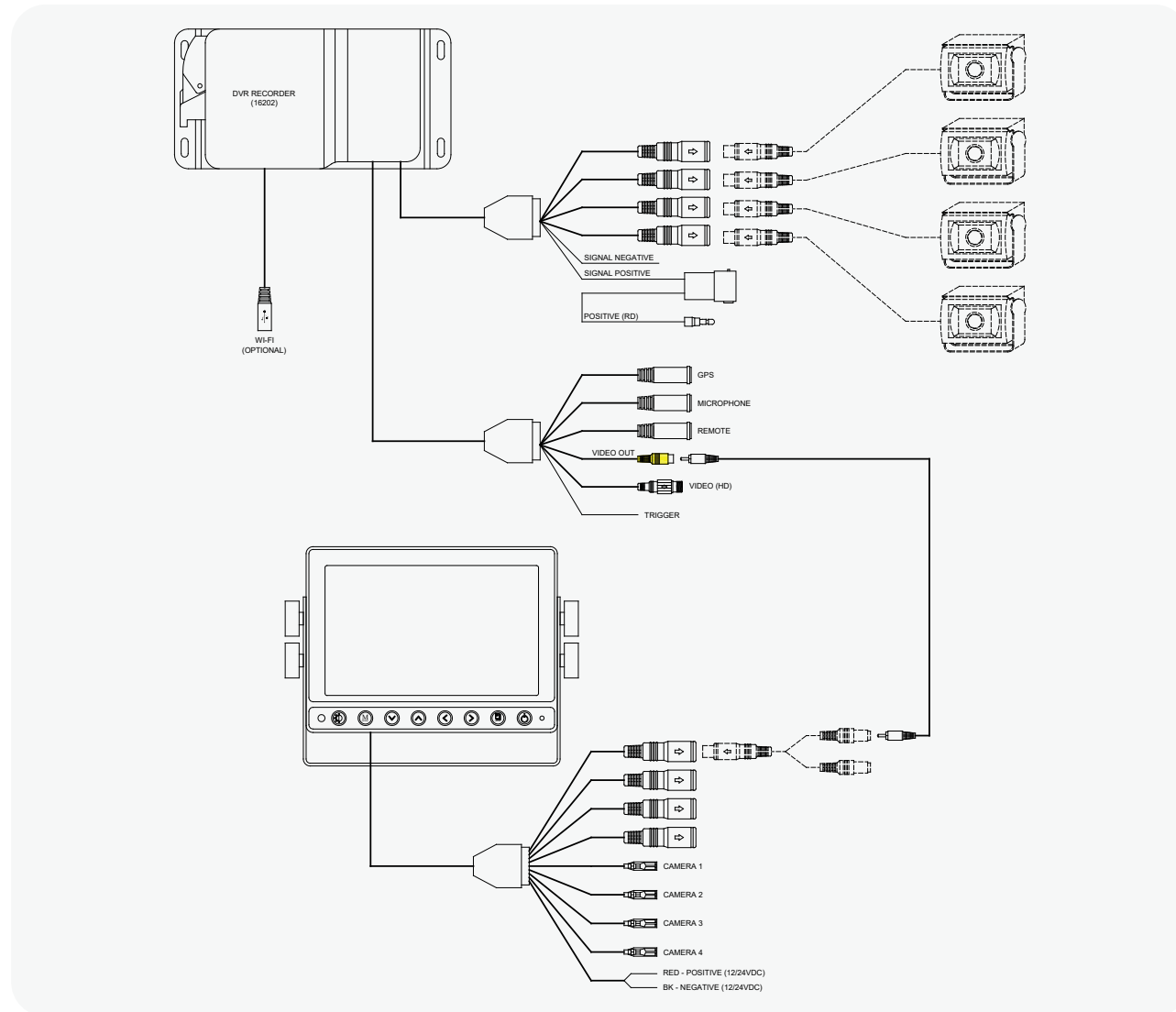
10.4" MONITOR SYSTEM LAYOUT



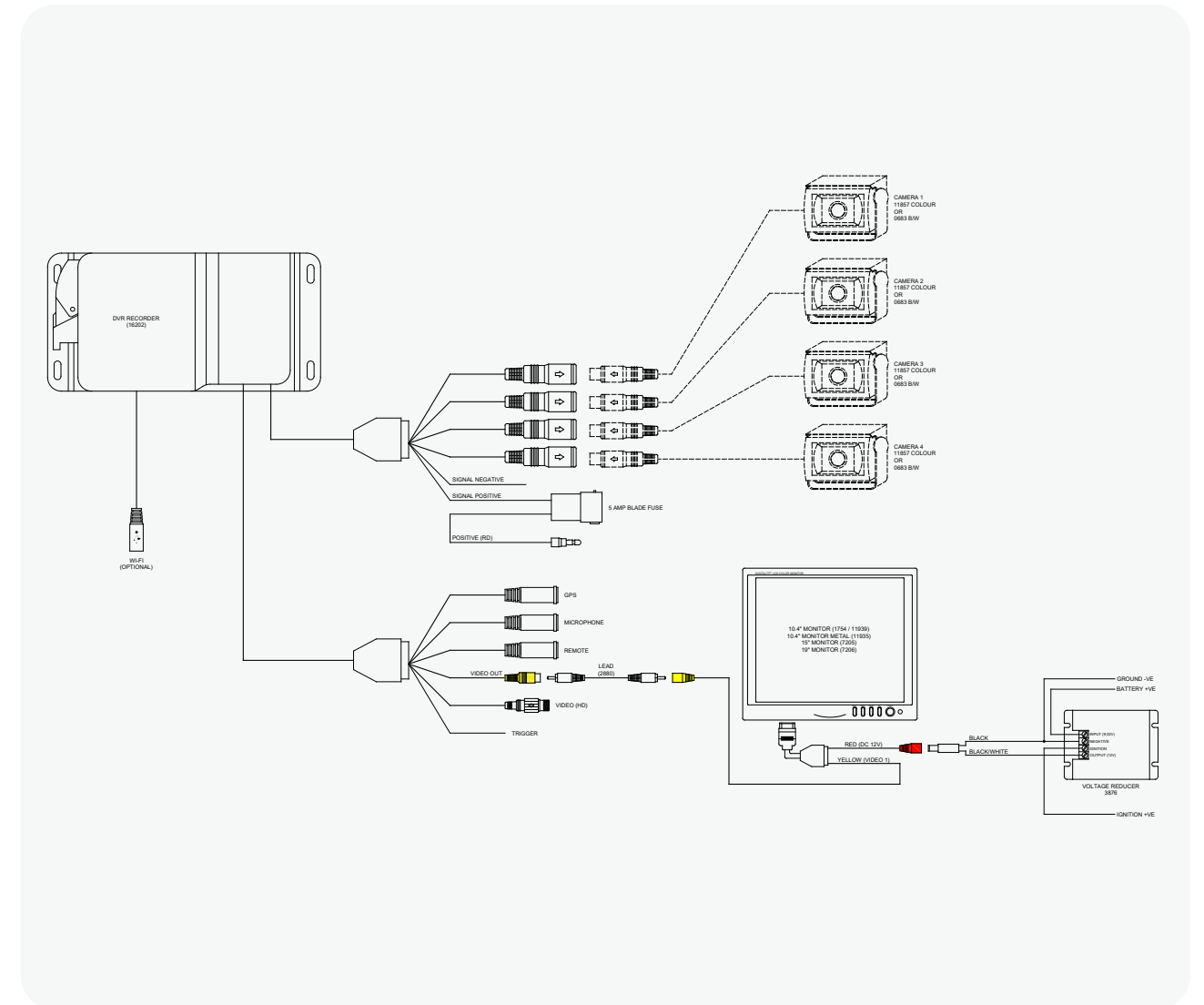
Camera System with DVR

Typical Layouts

7" MONITOR SYSTEM WITH DVR LAYOUT



10.4", 15" & 27" MONITOR SYSTEM WITH DVR LAYOUT



Proven in surface and underground mining applications





Website

rct-global.com

Email

solutions@rct-global.com