

PRODUCT INFORMATION

RAISED TRAY WARNING CONTROLLER

Part No. 12537

Operation and Use

The raised tray position is sensed via a proximity switch, which is fitted inside the chassis rails of the machine so as to detect raised position. An optional proximity switch can be supplied if required (part number 6568).

There are three modes of operation. Modes are selectable through the programmable configuration utility.

Speed Sense (Default)

When the tray is in the raised position the raised tray warning LED will be ON. If the tray is raised and ground speed is detected to be above 8km/h (50 Hz default) the raised tray warning LED will pulse ON and OFF and the raised tray warning alarm will be audible. The LED will continue to pulse and the alarm will continue to be audible until the tray is lowered irrespective of the ground speed.

Neutral Sense




When the tray is in the raised position the raised tray warning LED will be ON. If the tray is raised and the vehicle is not in neutral gear the raised tray warning LED will pulse ON and OFF and the raised tray warning alarm will be audible. The LED will continue to pulse and the alarm will continue to be audible until the tray is lowered irrespective of gear selection.

Park Brake Sense

When the tray is in the raised position the raised tray warning LED will be ON. If the tray is raised and the park brake is not engaged, the raised tray warning LED will pulse ON and OFF and the raised tray warning alarm will be audible. The LED will continue to pulse and the alarm will continue to be audible until the tray is lowered irrespective of park brake.

Controller Status Indicator Operation

State	Indicator Sequence
Battery Power-up	<ul style="list-style-type: none"> All indicators will turn on. All indicators will turn off. After power-up, the controller will revert to normal operation.
Status Indicator in Operation	<p>RED – Fault.</p> <ul style="list-style-type: none"> If outputs have problems, this will turn on. Outputs 1 & 2 – high current outputs: checked for over current. Output 3 – not checked as it is a low side driver. Output 4 – checked for correct output voltage. Temperature – checked for board temperature exceeding 80 °C. <p>YELLOW – Pulses during normal operation, indicates system OK.</p> <ul style="list-style-type: none"> Flashes on and off at one-second intervals (on for one second, off for one second). <p>GREEN – On for normal operation.</p>

	Alarm Indication
	System Status
	Power Indication

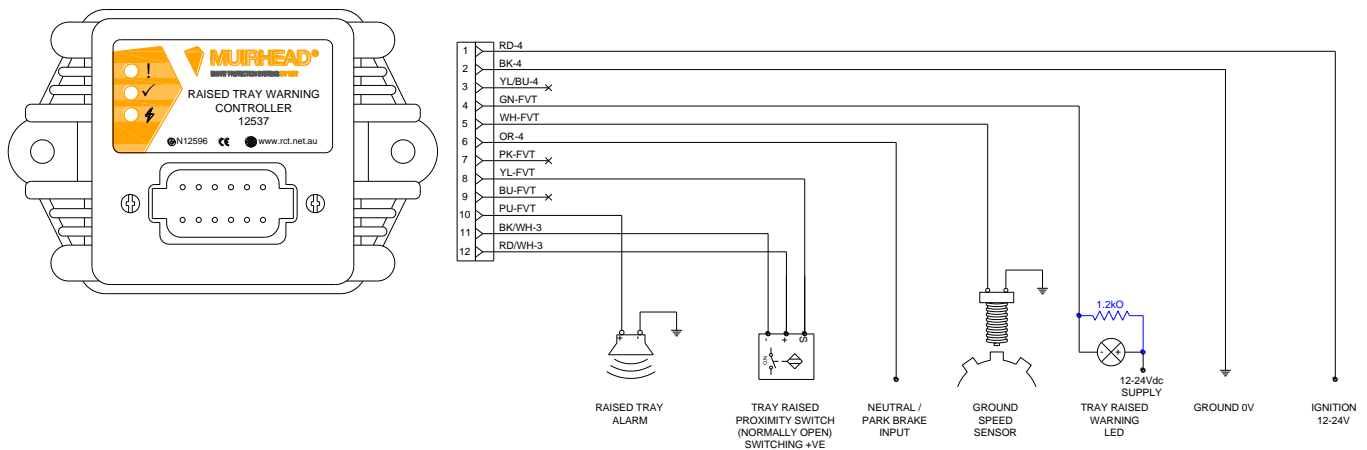
Installation Guide

1. Install the controller in a suitable location in the driver's cabin to enable the driver to easily see the LED and/or hear the audible alarm sound when the restriction warning system is activated.
2. Refer to the following wiring connections table and external wiring diagram to connect the controller. It is recommended that the wiring is installed alongside the OEM wiring ensuring that it is secured at regular intervals; this will provide protection from heat and abrasion, and any other excess damage that may occur with extended vehicle operation. When securing the wiring to the OEM wiring, ensure that the loom is away from moving vehicle parts, which could lead to loom damage.

Wiring Connections

No.	Function	Description
1	Ignition +VE	Connect to the ignition supply at the key switch (supply 12-24 V DC)
2	Ground	Earth (ground)
3	Output 1	Not used
4	Output 3	Raise tray warning LED +ve
5	Input 1	Connect to ground speed sensor Senses ground speed above 50Hz (configurable)
6	Input 3	There are two options for this input; these can be chosen by using the RCT programmable controller utility. By default, these are not used. Neutral Sense. Senses negative when in neutral (configurable). Park Brake Input. Senses a positive signal when the park brake is released (configurable).
7	Input 4	Not used
8	Input 2	Tray raised + VE input, normally open (configurable)
9	Output 4	Not used
10	Output 2	Raised tray audible alarm +VE
11	- VE	Proximity sensor –VE (supply voltage)
12	+VE	Proximity sensor +VE (supply voltage)

External Wiring Diagram (511x)



NOTE:
WHEN USING LED PART NO 11111, OR AN EQUIVALENT NO LOAD LED, A RESISTOR SHOULD BE CONNECTED ACROSS THE LED TO PREVENT CURRENT LEAKAGE WHICH CAUSES A FALSE INDICATION. RESISTOR TYPE IS (1W 1.2K? RCT PART NUMBER 11981)

For detailed product information, please contact your local RCT branch for a copy of the product manual [M0948](#). For configuration settings and adjustment, please contact your local RCT branch to purchase the Muirhead® Programming Utility, part number 13647.

LEGAL NOTICE:

- This document is protected under copyright law and Remote Control Technologies Pty Ltd or its related bodies corporate ("RCT") owns the copyright in this document or otherwise have permission or licence from the relevant owner to use certain specific works.
- You must not make any changes, amendments, variations, alterations or modifications to the document.
- You must not reproduce this document in any form or by any means, or to make copies of this document without RCT's prior written consent.
- The contents in this document constitute confidential information of RCT. You must not circulate, distribute or otherwise allow the document to be available in the public domain, or to disclose or share the document with any third party, without RCT's prior written consent.
- The information contained in this document is of a general nature only and is not intended to be specific advice or recommendation of RCT. If you engage RCT to perform the proposed works, RCT will provide specific advice and recommendations after considering your circumstances and operations. RCT expressly disclaims all liability (howsoever caused), loss or damage that you suffer arising from your reliance on this document, or arising from actions that you had taken or not taken based on the contents in this document.

Discover more: www.rct-global.com

AUSTRALIA:
+61 (0) 8 9353 6577

AFRICA:
+27 (0) 83 292 4246

CANADA:
+1 705 590 4001

RUSSIA / CIS:
+7 (910) 411 11-74

SOUTH AMERICA:
+56 3 5229 9409

USA:
+1 801 938 9214